

# Technical data sheet

## Product features



### Gas fryer 2x 17l on cabinet

**Model**

**SAP Code**

00019409



- Basin volume [l]: 2 x 17
- Drain type: Trough the cabinet
- Safety drain: Yes
- Maximum device temperature [°C]: 190
- Minimum device temperature [°C]: 50
- Material: AISI 304 top plate and cladding
- Heating location: Inside the tank
- Ignition: Piezo
- Number of baskets: 2
- Basket size [mm]: 2x 280 x 300 x 120

<b>SAP Code</b>	00019409	<b>Type of gas</b>	Natural gas, propane butane
<b>Net Width [mm]</b>	800	<b>Basin volume [l]</b>	2 x 17
<b>Net Depth [mm]</b>	730	<b>Number of basins</b>	2
<b>Net Height [mm]</b>	900	<b>Number of baskets</b>	2
<b>Net Weight [kg]</b>	78.00	<b>Basket size [mm]</b>	2x 280 x 300 x 120
<b>Power gas [kW]</b>	28.000	<b>Ratio power/volume [kW/l]</b>	0.80

# Technical data sheet

Technical drawing

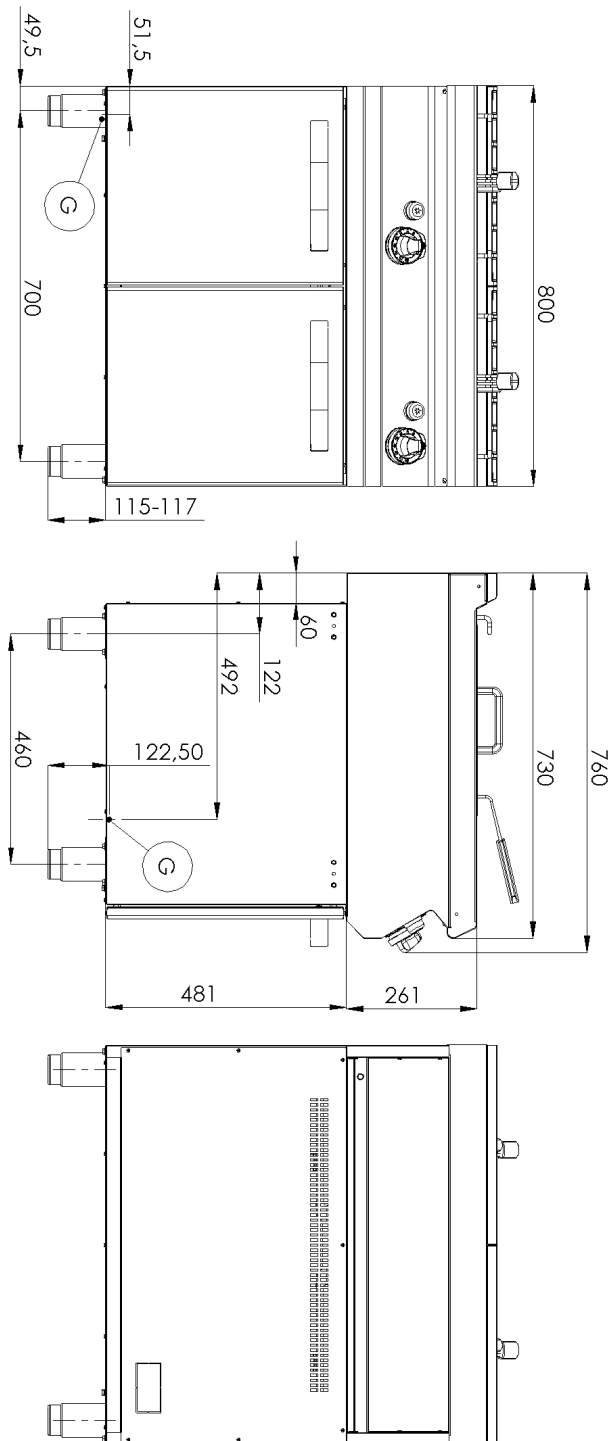


Gas fryer 2x 17l on cabinet

Model

SAP Code

00019409



# Technical data sheet

Technical parameters



## Gas fryer 2x 17l on cabinet

**Model**

**SAP Code**

00019409

**1. SAP Code:**

00019409

**2. Net Width [mm]:**

800

**3. Net Depth [mm]:**

730

**4. Net Height [mm]:**

900

**5. Net Weight [kg]:**

78.00

**6. Gross Width [mm]:**

840

**7. Gross depth [mm]:**

800

**8. Gross Height [mm]:**

1080

**9. Gross Weight [kg]:**

92.00

**10. Device type:**

Gas unit

**11. Construction type of device:**

With substructure

**12. Power gas [kW]:**

28.000

**13. Ignition:**

Piezo

**14. Type of gas:**

Natural gas, propane butane

**15. Protection of controls:**

IPX4

**16. Exterior color of the device:**

Stainless steel

**17. Material:**

AISI 304 top plate and cladding

**18. Worktop type:**

Molded - comfortable cleaning maintenance

**19. Worktop material:**

AISI 304

**20. Worktop Thickness [mm]:**

1.50

**21. Device heating type:**

Direct

**22. Standard equipment for device:**

lid and basket

**23. Basin volume [l]:**

2 x 17

**24. Basin dimensions [mm x mm x mm]:**

306 x 340 x 300

**25. Maximum device temperature [°C]:**

190

**26. Minimum device temperature [°C]:**

50

**27. Service accessibility:**

Trough the frontal panel

**28. Safety thermostat:**

Yes

# Technical data sheet

Technical parameters



## Gas fryer 2x 17l on cabinet

Model

SAP Code

00019409

### 29. Safety thermostat up to x ° C:

235

### 30. Adjustable feet:

Yes

### 31. Heating element material:

Stainless steel

### 32. Number of baskets:

2

### 33. Number of basins:

2

### 34. Basket size [mm]:

2x 280 x 300 x 120

### 35. Basin material:

AISI 304 - High quality stainless steel

### 36. Ratio power/volume [kW/l]:

0.80

### 37. Drain type:

Trough the cabinet

### 38. Safety drain:

Yes

### 39. Heating location:

Inside the tank

### 40. Connection to a ball valve:

1/2